



## Permit Center

1812 Main Street, Lake Stevens, WA 98258

Phone: (425) 622-9434

[www.lakestevenswa.gov](http://www.lakestevenswa.gov)

# Residential Handrails & Guards

## Single Family and Duplex

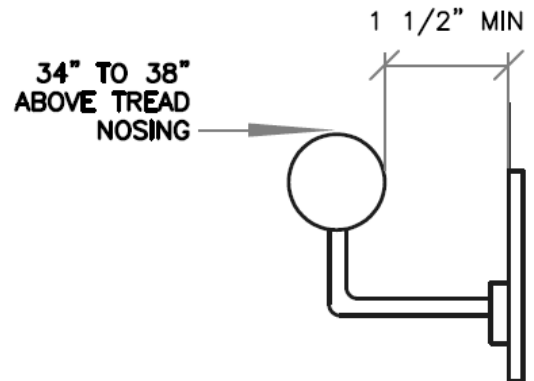
**Handrails:** Provide a graspable surface along stairs.

**Applicable Code:** 2015 IRC Section 311.7.8

**When Required:** Handrails shall be provided on at least one side of each continuous run of treads or flight with four or more risers.

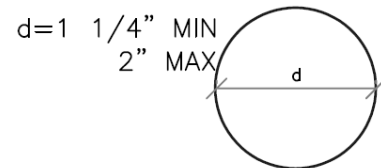
**Height:** 34" – 38"

**Continuity:** Handrails shall be continuous for the full length of the stairs and handrails ends shall be returned or terminate in newel posts or safety terminals. Handrails shall have a space of not less than 1 1/2" between a wall and the handrail. (See above figure.)



### Size:

- Circular handrails shall have a diameter of 1 1/4" - 2" (As illustrated)
- Noncircular:
  - No noncircular handrail shall have a have a perimeter less than 4" (See illustration)
  - If the perimeter is 4"- 6 1/4" shall have a maximum cross section of 2 1/4" (As illustrated)
  - If the perimeter is greater than 6 1/4" shall have a graspable finger recess area on both sides as described in IRC Section 311.7.8.3 #2



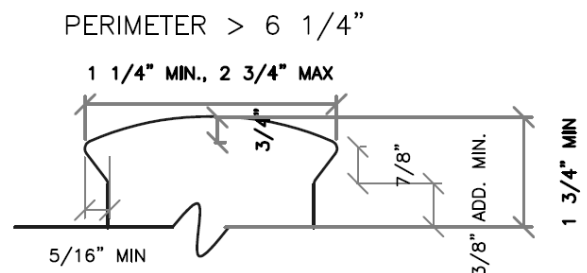
CIRCULAR



TOTAL PERIMETER  
4" MIN  
6 1/4" MAX

**Guards:** Protect people from falling from elevated walking surfaces.

**Applicable Code:** 2015 IRC Section 312



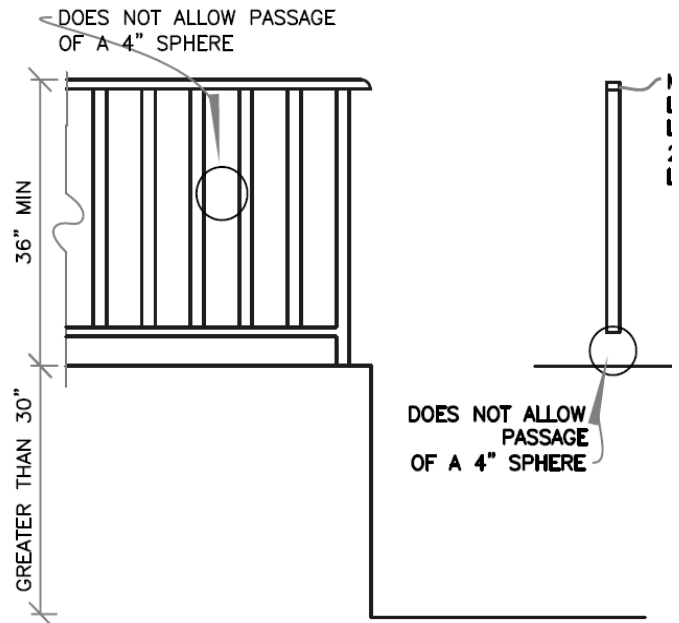
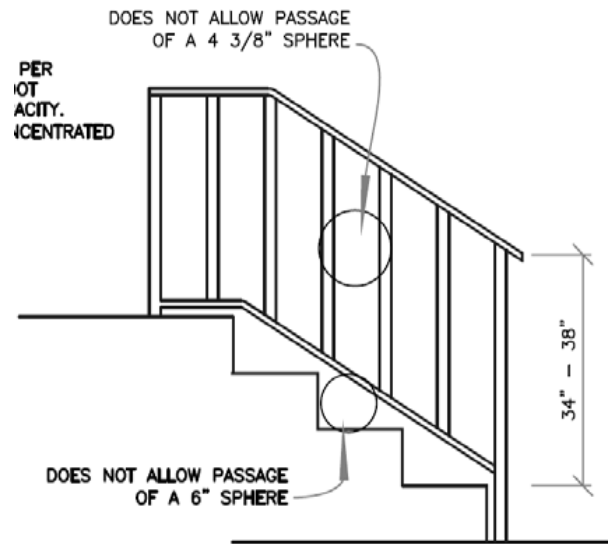
**When Required:** Along any open-sided walking surface, including stairs, ramps and landings, that are located more than 30" vertically above grade at any point within 36" horizontally to the edge of the open side. If a stair is more than 30" above grade at any point in the stair's flight, a guard is required along the full length of the open side.

**Height:** 36" minimum above the walking surface or the line connecting the leading edge of treads.

**Opening limitations:**

No openings shall be large enough to allow a 4" diameter sphere to pass through (See figure above) with the following exceptions:

- Triangular openings on a stair, between the tread, riser and bottom rail of a guard, shall not allow a 6" diameter sphere to pass through (See figure)
- Other openings on guards located on stairs shall not allow a 4 3/8" sphere to pass through. (See figure)



*This handout is for general informational purposes only and is not a substitute for the full code text. If discrepancies arise, the code shall govern.*