

2320 California Street • Everett, WA • 98201
Mailing Address: P.O. Box 1107 • Everett, WA • 98206
•(425) 783-8602• Fax: 425-267-6076
•Email: abcohen@snopud.com

Snohomish County PUD No. 1 Water Customer

DATE: _____

**Regarding: Required installation of a Double Check Valve Backflow Assembly (DCVA)
for any residential irrigation system**

The Snohomish County PUD Water Department is committed to providing clean, potable and safe water to its customers. A potential threat to safe drinking water is contamination resulting from a "cross connection." A cross connection is any connection between the potable water system, and any pipe or fixture used for non-potable water or substances that could contaminate drinking water. The potable water is affected when contamination "backflows" into the water system through the cross connection. This can happen if the PUD's normal water pressure drops, or where the source of contamination is at a higher pressure (for example, from pumping or elevated pressure due to heat).

In compliance with Washington State Department of Health Regulations (WAC 246-290-490), the PUD is engaged in a program to protect its water system from contamination due to cross connections. This program involves identifying actual and/or potential cross connections within the District's water service area.

Some examples of cross connections are: sprinkler and **irrigation systems**, boiler fed water systems, pressurized wash water and fire protection systems, supplemental water sources, swimming pools, storage reservoirs or any other device which contains or may contain contaminated water or liquid of unsafe quality which may be capable of causing contamination to the public water supply as a result of backflow through the water service connection.

If you have an **irrigation system**, please install a Washington State Department of Health approved Double Check Valve Assembly (DCVA) as required by PUD standards (and state statute) in immediate proximity of your water service. If an irrigation system with a DCVA is already in place please have that assembly tested. Please contact us if questions arise regarding necessary clearances for assembly testing purposes, the maximum/minimum heights the assembly can be maintained above grade, clearances around the assembly, or any other questions regarding installation requirements. PUD staff will meet with your installer on site regarding installation requirements.

Immediately after installation please ensure that the above noted assembly is scheduled, without delay, for testing by a certified Backflow Assembly Tester (BAT) shortly after installation is completed. Washington State regulations (WAC 246-290-490) require **initial** and **annual** testing of your backflow assembly.

A provider of quality water, power and service at a competitive price that customers value.

If a DCVA is required, PUD staff will inspect the installation to ensure compliance with state regulations and PUD standards. Please call so that I may arrange for PUD staff to be present at the time your assembly is tested. Also, in approximately one year, PUD staff will again contact you to remind you to test your DCVA.

We have enclosed a copy of a list of certified BATs, the requirements for installation and a list of suppliers that sell the assemblies for your convenience.

Please have the above noted installation and/or testing completed with in **one month** of receiving this notice. Thank you for complying with WAC 246-290-490 and helping the District to guarantee clean, potable drinking water to the public. Also, upon completion of satisfactory testing, please ensure all test reports are returned to the PUD's office shortly after installation of the above noted assemblies.

Please note that installation and/or testing of your DCVA is a condition of continued PUD water service.

If you have any questions or concerns or if there is any way in which District staff can aid you, please do not hesitate to call **425-783-8602**. Thank you for your cooperation.

Sincerely,

A handwritten signature in black ink that reads "Alan Cohen". The signature is written in a cursive, flowing style.

Al Cohen, P.E.

Enclosure: List of Suppliers (A List of Approved Backflow Prevention Assemblies is available upon request)
List of BATs
PUD's DCVA Standard and Installation Notes

Cc: **Ryan Schank** (PUD Inspector)

BACKFLOW INSTALLATION NOTES:

1. Backflow assemblies for purposes of premise isolation shall be located immediately downstream of the water service connection (or water meter box), within 1 to 2 feet, and prior to any branch connections. Alternate installation locations must be pre-approved by the District.

Double Check Valve Assemblies for puposes of Irrigation may be installed immediately after branch connection.

2. Installation of approved backflow assemblies shall be in accordance with the Accepted Procedure and Practice in Cross-Connection Control Manual, of the Pacific Northwest Section of the American Water Works Association latest edition.

3. Backflow assemblies selected for installation must appear on the most current Washington State Department of Health list of backflow assemblies approved for installation in Washington State.

4. Prior to installation of a backflow assembly, the installer or developer or property owner must call the District at 425-783-8602 to schedule an inspection.

5. Following an installation inspection approval by a District Inspector, the backflow assembly must be scheduled for an initial test by a Washington State Department of Health certified Backflow Assembly Tester. A District Cross-Connection Specialist (CCS) in the Water Resources Department must witness the initial testing of the backflow assembly.

6. The property owner is responsible for initial and annual testing of any backflow assembly.

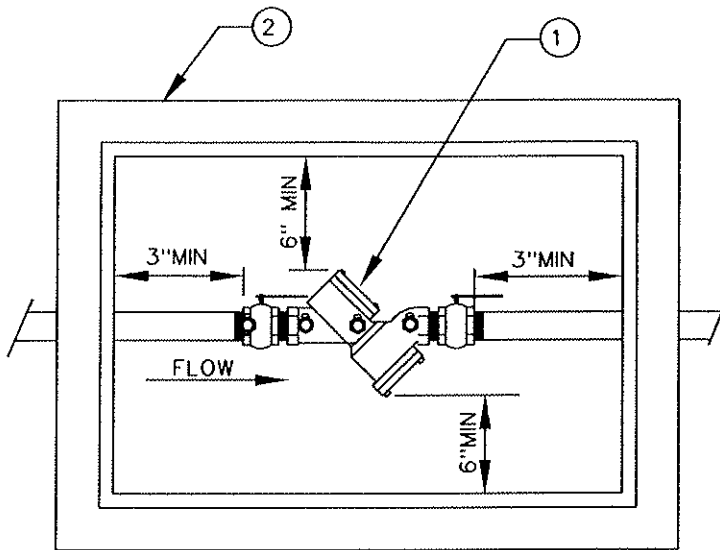
7. The property owner is responsible for freeze protection of any backflow assembly.

8. The installer or developer or property owner must provide backflow assembly test cock protection with plugs, caps, or covers.

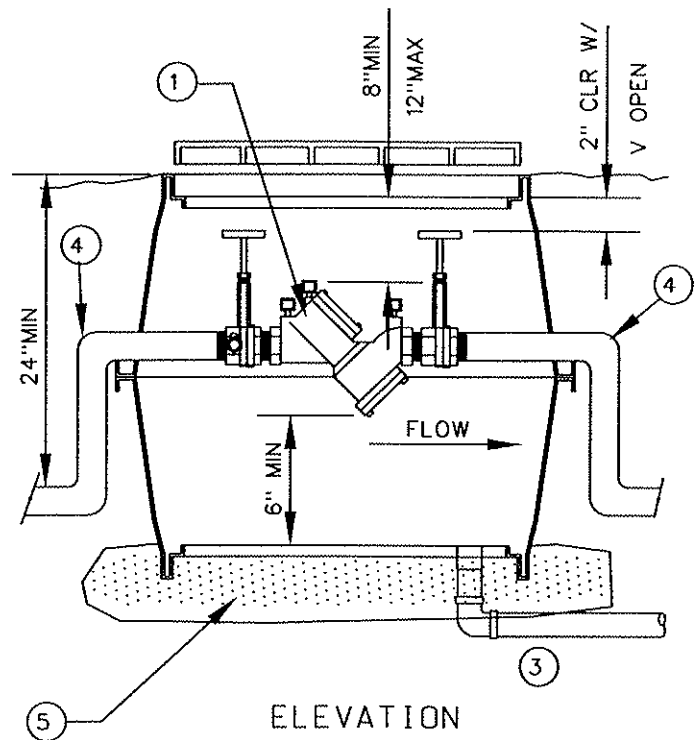
9. The Water meter must be installed in order to test the backflow assembly.

For more information or technical assistance, please contact Alan Cohen at 425-783-8602

<p>SNOHOMISH COUNTY PUD PUBLIC UTILITY DISTRICT NO 1</p>	<p>REDUCED PRESSURE BACKFLOW ASSEMBLY (RPBA) 2" INSTALLATION NOTES</p>	<p>DATE 1/4/2006 ENGR BEW</p>	<p>STANDARD 604</p>
---	---	---	---------------------------------------



PLAN



ELEVATION

LEGEND

- ① WASHINGTON STATE APPROVED DOUBLE CHECK VALVE ASSEMBLY.
- ② IN NON-TRAFFIC AREAS USE:
 PRECAST CONCRETE VAULT (UTILITY VAULT CO) OR APPROVED
 EQUAL) OR PLASTIC VALVE BOX (UTILITY VAULT CO) OR
 APPROVED EQUAL) OF SIZE TO MAINTAIN CLEARANCES AS SHOWN
 IN TRAFFIC AREAS:
 A TRAFFIC LOADED BOX MUST BE USED AND LOCATION APPROVED BY THE
 THE DISTRICT PRIOR TO INSTALLATION.
- ③ DRAIN TO DAYLIGHT REQUIRED.
- ④ ANGLES MAY BE IN OR OUT OF BOX SO LONG AS SUFFICIENT ROOM IS
 ALLOWED AT EACH END FOR VALVE OPERATOR AND DCVA REPAIR OR
 MAINTENANCE.
- ⑤ PROVIDE FREE 100% 7/8 MINUS CRUSHED ROCK.

NOTES

- 1. ALL TEST COCKS MUST HAVE BRASS PLUGS.
- 2. TEST COCKS MUST FACE AS PRESCRIBED BY THE MANUFACTURER AND THE USC FOUNDATION
 FOR CROSS-CONNECTION CONTROL AND HYDRAULIC RESEARCH SPECIFICATIONS.

List Of Testers and Certification By Company Name (with Phone No)

Company Name	Tester Name	Cert. Number	Mailing Address	Postal/Zip Code	Phone Number(s)
	Robert M Leonard	B4325			425-754-5468
	Robert S French	B4553			425-745-8898
A-1 Backflow Testing	Frank E. Schneider	B4444	2316-125th Pl SE, Everett, WA	98208	425-337-6398
AAA Backflow Assembly Testing	Jeff O Morgan	B4197	7725 Peregrine Place, Arlington, WA	98223	425-870-5911
AACRA Backflow Assembly Testing Svc	Lewis Young	B3497	PMB A-11 621 SR 9 NE, Lake Stevens, WA	98258	425-334-4507
A-BAT Backflow Assembly Testing & Svcs	Ron King	B3491	PO Box 2374, Everett, WA	98203	425-334-6526 (fax) 425-334-6423
ABC Water Speciality Inc.	William Purdy	B4063	12 East Intercity Avenue, Everett, WA	98208	425-334-3473 (fax) 425-355-9826
ABC Water Specialty Inc.	Christine Purdy	B4187	12 East Intercity Avenue, Everett, WA	98208	425-347-9389 (fax) 425-355-9826
Advance Testing & Service Inc.	Roger Summy	B1907	PO Box 1485, Everett, WA	98206	425-355-9389 (fax) 425-337-4175
Advance Testing & Service, Inc.	Bradley B Briggs	B4320	PO Box 1485, Everett, WA	98206	360-659-4346 (fax) 425-337-4175
Aqua Tech Services	Vince Nardone	B2426	,13902 - 23rd Dr SE, Bothell, WA	98012	425-659-4346 (fax)
BATman Testing	Jason Moe	B4536	2418 74th Street SE, Everett, WA	98203	425-481-2919
Bellingham Lock & Safe	Brian Pudell	B4414	1619 North State Street, Bellingham, WA	98225	206-228-1618
Bellingham Lock & Safe	Jesse D Pauley	B3332	1619 N. State Street, Bellingham, WA	98225	866-631-3083 (fax)
Bellingham Lock and Safe	Ben Vos	B4181	1619 North State Street, Bellingham,, WA	98225	360-734-4940
Blythe Plumbing & Heating Inc.	John F Martin	B4439	2201 Humboldt St., Bellingham, WA	98225	360-647-9540 (fax) 360-733-7810
Certified Backflow Assembly Testing Inc	Paul Frederick	B2387	3139 Sylvan Drive West, University Place, WA	98466	360-671-3787 (fax) 253-565-2728
Day & Nite Plumbing & Heating	Steve	B4580	16614 13th Ave NE, Lynnwood	98037	253-255-5960 (fax) 425-775-6464
Dennis McLaughlin Backflow Service	Dennis McLaughlin	B4279	11345-19th Ave NE, Seattle, WA	98125	425-670-0507 (fax) 206-364-9531
Fire Systems West, Inc	Scott McClain	B3950	219 Frontage Road N., Suite B, Pacific, WA	98047	253-833-1248
Fire Systems West, Inc.	Aaron C Frey	B4554	219 Frontage Road N. Suite B, Pacific, WA	98047	425-821-6801

Company Name	Tester Name	Cert. Number	Mailing Address	Postal/Zip Code	Phone Number(s)
Fire Systems West, Inc.	Douglas Blackburn	B4143	219 Frontage Road N. Suite B, Pacific, WA	98047	253-833-1248
Fire Systems West, Inc.	Matthew Skoglund	B4459	219 Frontage Rd North Suite B, Pacific, WA	98047	2530833-1248
Madden Mechanical	Ed Willis	B3788	11611 - 49th Place West, Mukilteo, WA	98275	253-826-5797
McKinstry Co.	Curt C Schnabel	B1209	PO Box 24567,5005-3rd Ave South, Seattle, WA	98124	206-832-8143
McKinstry Co.	James B Peters	B2809	5005-3rd Ave South,PO Box 24567, Seattle, WA	98124	206-832-8143
McKinstry Co.	Karl H Koch	B1208	PO Box 24567,5005-3rd Ave South, Seattle, WA	98124	206-832-8143
McKinstry Co.	Kevin F. Gallagher	B4541	5005 - 3rd Ave South,PO Box 24567, Seattle, WA	98124	206-764-1689
McKinstry Co.	Uri Berenshtein	B4345	5003-3rd Avenue South,PO Box 24567, Seattle, WA	98124	206-764-1689
McLaughlin's Backflow Prevention Service	Dennis McLaughlin	B0205	11345 19th Ave N.E., Seattle, WA	98125	206-364-9531 206-364-9531 (fax)
McLaughlin's Peninsula Backflow Service	Domenic S McLaughlin	B4253	1869 NW Mulholland Blvd, Poulsbo, WA	98370	360-598-4445 360-598-4456 (fax)
Northern Waters Irrigation, Landscape & Lighting	Michael Thisius	B4084	PO Box 1293, Edmonds, WA	98020	425-672-9242 425-672-4350 (fax)
Northern Waters Irrigation, Landscaping	Dave Sheldon	B3685	PO Box 1293, Edmonds, WA	98020	
Northern Waters Irrigation, Landscaping & Lighting	Mitchell Sheldon	B4650	PO Box 1293, Edmonds, WA	98020	425-672-9242 425-672-4350 (fax)
Nothern Waters Irrigation & Landscape & Lighting	Joshua Popich	B4477	PO Box 1293, Edmonds, WA	98020	425-672-9242 425-672-4350 (fax)
R.A. Brown Backflow Testing	Ron Brown	B4203	14213 95th Ave NE, Bothell, WA	98011	425-821-6801
Snohomish PUD	Al Cohen	B4446	PO Box 1107, Everett, WA	98206	
SummerS Plumbing	Howard A Summers	B4431	12917 203rd Ave SE, Monroe, WA	98272	360-794-3136 360-794-3659 (fax)
SummerS Plumbing	Hugh More	B2838	12917 - 203rd Ave SE, Monroe	98272	360-794-3138 360-794-3659 (fax)
T & M Backflow Testing	Wayne Shkurhan	B0976	4903 - 109th Ave SE, Snohomish, WA	98290	
Thom Wahlman	Thom Wahlman	B3301	P.O. Box 42, Lake Stevens, WA	98252	(425) 334-3350
Williams Mechanical	Bradley Williams	B2367	3903 Smith Avenyue, Everett, WA	98201	425-303-0828 425-339-9244 (fax)
Williams Mechanical	Jeffrey Stalkfleet	B3337	3903 Smith Avenue, Everett, WA	98201	

SUPPLIERS

FERGESON (Formerly Familian)
13716 NE 177th Place
Woodinville, WA 98072-878
(425) 483-8800

H B Jaeger
10105 Airport Way # A
Snohomish, WA 98296
(360) 568-5958
fax: (360) 568-7506

Hughes Supply
4106 134th St. NE
Marysville, WA 98127
(360) 651-1147
fax: (360) 651-1151

H.D. Fowler -- Marysville Branch
6016 29th Drive Northeast
Tulalip, WA 98271
(360) 651-2400 X105
fax: (360) 658-5305